



WamBlee

Committed to Excellence

W815

commercial fishing

DOLPHIN PINGER

- ACOUSTIC DETERRENT DEVICE FOR DOLPHINS
- VARIABLE FREQUENCY EMISSION
- RANDOM REPETITION CYCLE
- EMISSION: 145 DB (1 μ PA @ 1M)
- RECHARGEABLE BATTERY > 500 CYCLES
- INDUCTION BATTERY CHARGER (NO ELECTRICAL CONTACT)
- WATER SUBMERSION ACTIVATION (CAPACITIVE EFFECT)
- OPERATION TIME: > 200 HOURS
- OPERATING DEPTH: DOWN TO 300 MT.



W815

The new W815 Dolphin Pinger is a dolphin deterrent device, designed to prevent dolphins' hindrance to fishing activities. As an ultrasonic signal generator, it interacts with dolphins' echolocation system and prevents them from approaching fishing nets.

The W815 complies with the requirements of EU Directive 812/2004 (Pinger Regulation) and it is classified as an Acoustic Deterrent Device (ADD).

The W815 features an inductive rechargeable battery. Its induction battery charger, which is sold separately, is very easy to use: once placed in the charger, the W815

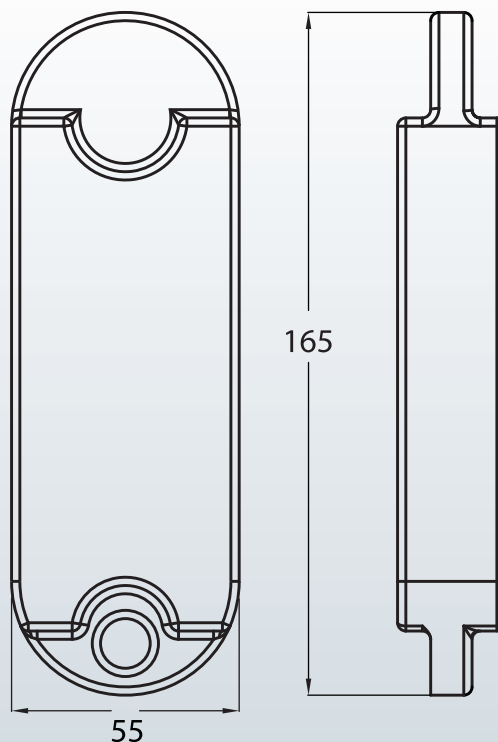
is charged automatically without having to connect wires or external contacts.

When charged, the W815 stays off until it is completely submerged in water. A LED light indicates operation.

TECHNICAL SPECIFICATIONS

- Modulating frequency: 70Khz +/- 10 KHz
- Sound pressure level; 145 decibels re: 1 μ Pa at 1m.
- Random emission every 4 seconds +/- 1 second.
- Operation time: > 200 hours
- Operating depth: down to 300 mt.
- Rechargeable battery (induction charger)
- Completely waterproof.
- Activation by capacitive sensor
- Immediate installation thanks to a special fixing hole
- Space pinger distance: 200mt
- Weight: 220 gr
- Dimensions: 170 x 60 x 25 mm

Order Code	Description	Packing Quantity
P20061	W815 Dolphin Pinger	1



WamBlee
Committed to Excellence

WamBlee s.r.l. - via Vittori, 19 - 48018 Faenza - tel. e fax +39 0546 623891
e-mail: info@wamblee.it - www.wamblee.it



UNI EN
ISO 9001:2015

We reserve the right to make technical changes without prior notice
Cod. D9020 - ENG - Rev.A - 10/2021